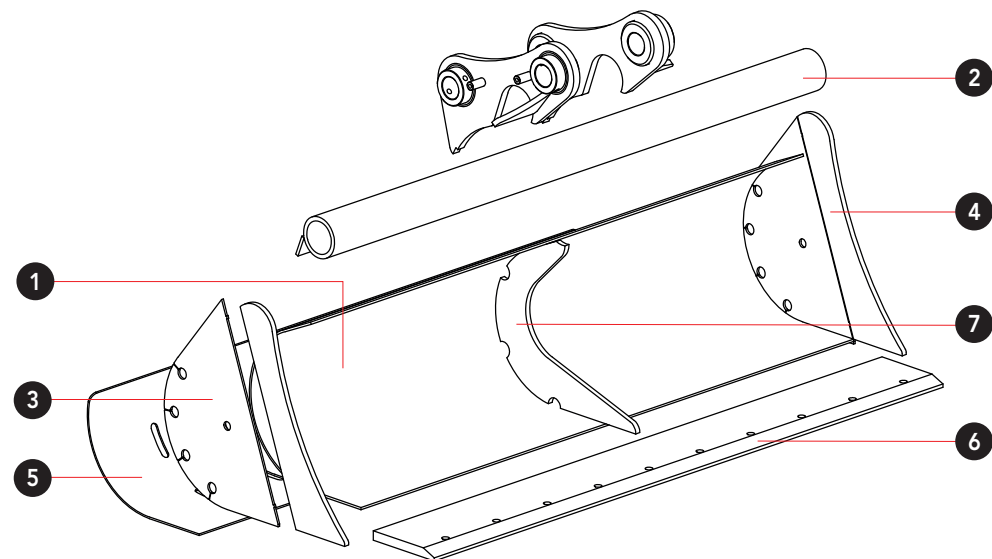




BENNA PULIZIA FOSSI - PROFILO ROTONDO
DITCH CLEANING BUCKET - ROUND PROFILE
GODET DE CURAGE - PROFIL ARRONDI





			1	2	3	4	5	6	7
Classe Class Classe	V-48	t 11 12 13	S355 - 6 mm	S355 - Ø 114 mm	S355 - 6 mm	S355 - 15 mm	S355 - 6 mm	≥HB400 - 20 mm	S355 - 15 mm
	V-55	t 12 15 16	S355 - 6 mm	S355 - Ø 114 mm	S355 - 6 mm	S355 - 15 mm	S355 - 6 mm	≥HB400 - 25 mm	S355 - 15 mm
	V-58	t 15 19 20	S355 - 6 mm	S355 - Ø 152 mm	S355 - 6 mm	S355 - 15 mm	S355 - 6 mm	≥HB400 - 25 mm	S355 - 15 mm
	V-63	t 19 23 25	S355 - 6 mm	S355 - Ø 152 mm	S355 - 8 mm	S355 - 20 mm	S355 - 6 mm	≥HB400 - 32 mm	S355 - 15 mm
	V-64	t 23 26 28	S355 - 6 mm	S355 - Ø 152 mm	S355 - 8 mm	S355 - 20 mm	S355 - 6 mm	≥HB400 - 32 mm	S355 - 15 mm
	V-68	t 26 31 33	S355 - 8 mm	S355 - Ø 178 mm	S355 - 10 mm	S355 - 25 mm	S355 - 8 mm	≥HB400 - 40 mm	S355 - 25 mm
	V-70	t 31 40 42	S355 - 10 mm	S355 - Ø 178 mm	S355 - 10 mm	S355 - 30 mm	S355 - 8 mm	≥HB400 - 40 mm	S355 - 25 mm

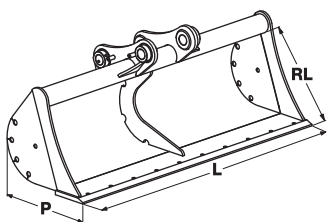


BENNA PULIZIA FOSSI - PROFILO ROTONDO
DITCH CLEANING BUCKET - ROUND PROFILE
GODET DE CURAGE - PROFIL ARRONDI



V-48 t 11 12 13

Code	L mm	RL mm	P mm	ISO 7451 m ³	 kg	€	Optionals	
							Code	
48 - PQ	1400	576	612	0,362	265	-	PL14020RS20	-
48 - PR	1500	576	612	0,390	280	-	PL15020RS20	-
48 - PT	1600	576	612	0,410	293	-	PL16020RS20	-
48 - PA	1800	576	612	0,476	321	-	PL18020RS201	-
48 - PB	2000	576	612	0,533	348	-	PL20020RS20	-





BENNA PULIZIA FOSSI - PROFILO ROTONDO

DITCH CLEANING BUCKET - ROUND PROFILE

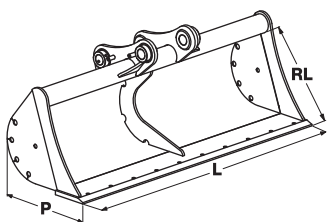
GODET DE CURAGE - PROFIL ARRONDI

V-55 t 12-15-16

						Optionals		
Code	L mm	RL mm	P mm	ISO 7451 m ³	 kg	€	Code	
55 - PR	1500	622	673	0,437	332	-	PL15025RS25	-
55 - PA	1800	622	673	0,534	378	-	PL18025RS25	-
55 - PB	2000	622	673	0,598	411	-	PL20025RS25	-
55 - PJ	2200	622	673	0,662	443	-	PL22025RS251	-

V-58 t 15-19-20

						Optionals		
Code	L mm	RL mm	P mm	ISO 7451 m ³	 kg	€	Code	
58 - PA	1800	687	748	0,683	451	-	PL18025RS25	-
58 - PB	2000	687	748	0,766	488	-	PL20025RS25	-
58 - PJ	2200	687	748	0,849	525	-	PL22025RS251	-
58 - PW	2400	687	748	0,931	559	-	PL24025RS251	-
58 - PK	2500	687	748	0,972	577	-	PL25025RS25	-





BENNA PULIZIA FOSSI - PROFILO ROTONDO

DITCH CLEANING BUCKET - ROUND PROFILE

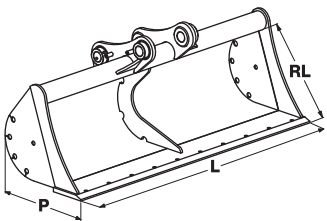
GODET DE CURAGE - PROFIL ARRONDI

V-63 t 19-23-25

						Optionals		
Code	L mm	RL mm	P mm	ISO 7451 m ³	 kg	€	Code	
63 - PA	1800	740	788	0,776	530	-	PL18025RS25	-
63 - PB	2000	740	788	0,870	570	-	PL20025RS25	-
63 - PJ	2200	740	788	0,963	610	-	PL22025RS251	-
63 - PW	2400	740	788	1,057	651	-	PL24025RS251	-
63 - PK	2500	740	788	1,104	671	-	PL25025RS25	-

V-64 t 23-26-28

						Optionals		
Code	L mm	RL mm	P mm	ISO 7451 m ³	 kg	€	Code	
64 - PA	1800	808	860	0,896	568	-	PL18025RS25	-
64 - PB	2000	808	860	1,006	611	-	PL20025RS25	-
64 - PJ	2200	808	860	1,116	656	-	PL22025RS251	-
64 - PW	2400	808	860	1,226	700	-	PL24025RS251	-
64 - PK	2500	808	860	1,281	722	-	PL25025RS25	-





BENNA PULIZIA FOSSI - PROFILO ROTONDO

DITCH CLEANING BUCKET - ROUND PROFILE

GODET DE CURAGE - PROFIL ARRONDI

V-68 t 26 31 33

Code	L mm	RL mm	P mm	ISO 7451 m ³	 kg	€	Optionals	
							Code	
68 - PA	1800	931	969	1,186	848	-	PL18033RS25	-
68 - PB	2000	931	969	1,335	892	-	PL20033RS25	-
68 - PJ	2200	931	969	1,485	994	-	PL22033RS25	-
68 - PW	2400	931	969	1,633	1059	-	PL24033RS251	-
68 - PK	2500	931	969	1,708	1092	-	PL25033RS25	-

V-70 t 31 40 42

Code	L mm	RL mm	P mm	ISO 7451 m ³	 kg	€	Optionals	
							Code	
70 - PA	1800	996	1023	1,340	942	-	PL18033RS25	-
70 - PB	2000	996	1023	1,508	1017	-	PL20033RS25	-
70 - PJ	2200	996	1023	1,676	1138	-	PL22033RS25	-
70 - PW	2400	996	1023	1,844	1214	-	PL24033RS251	-
70 - PK	2500	996	1023	1,929	1252	-	PL25033RS25	-

